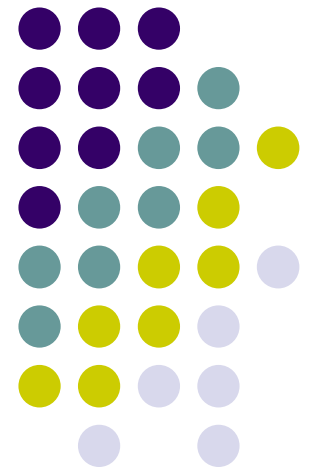
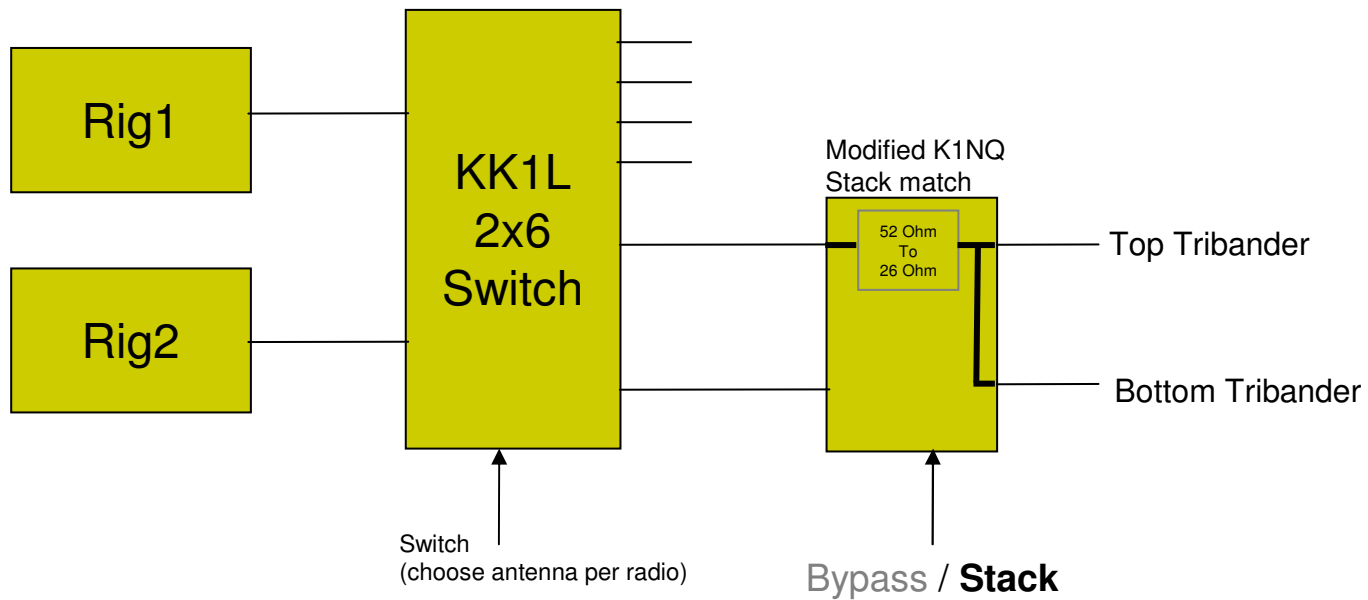
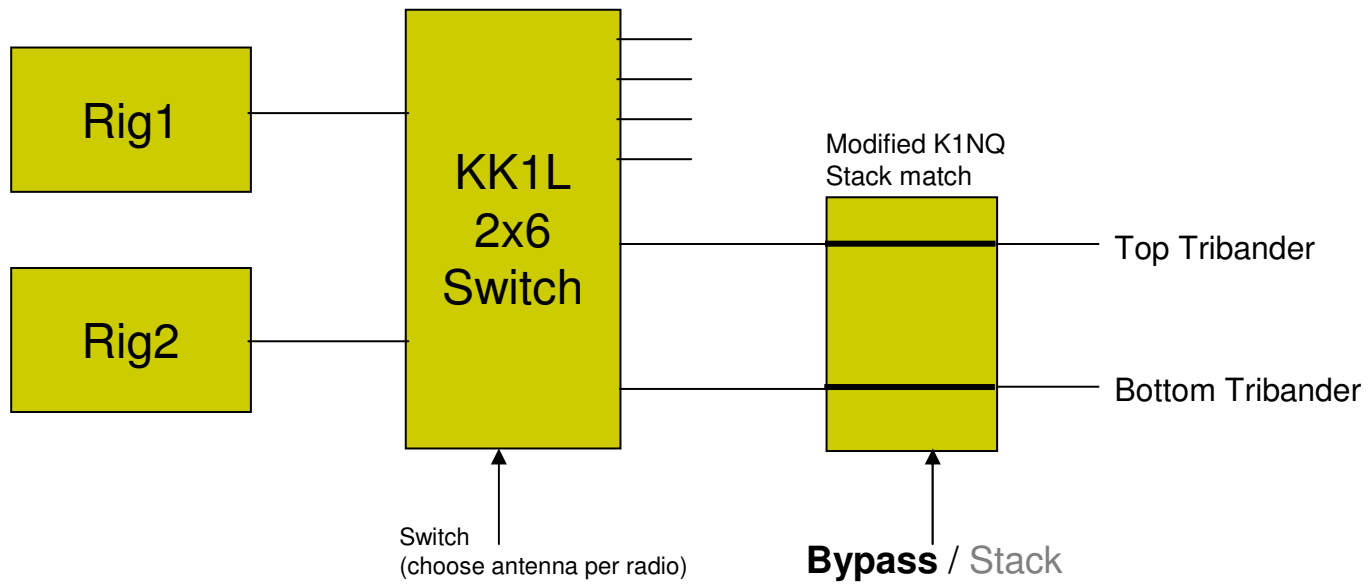
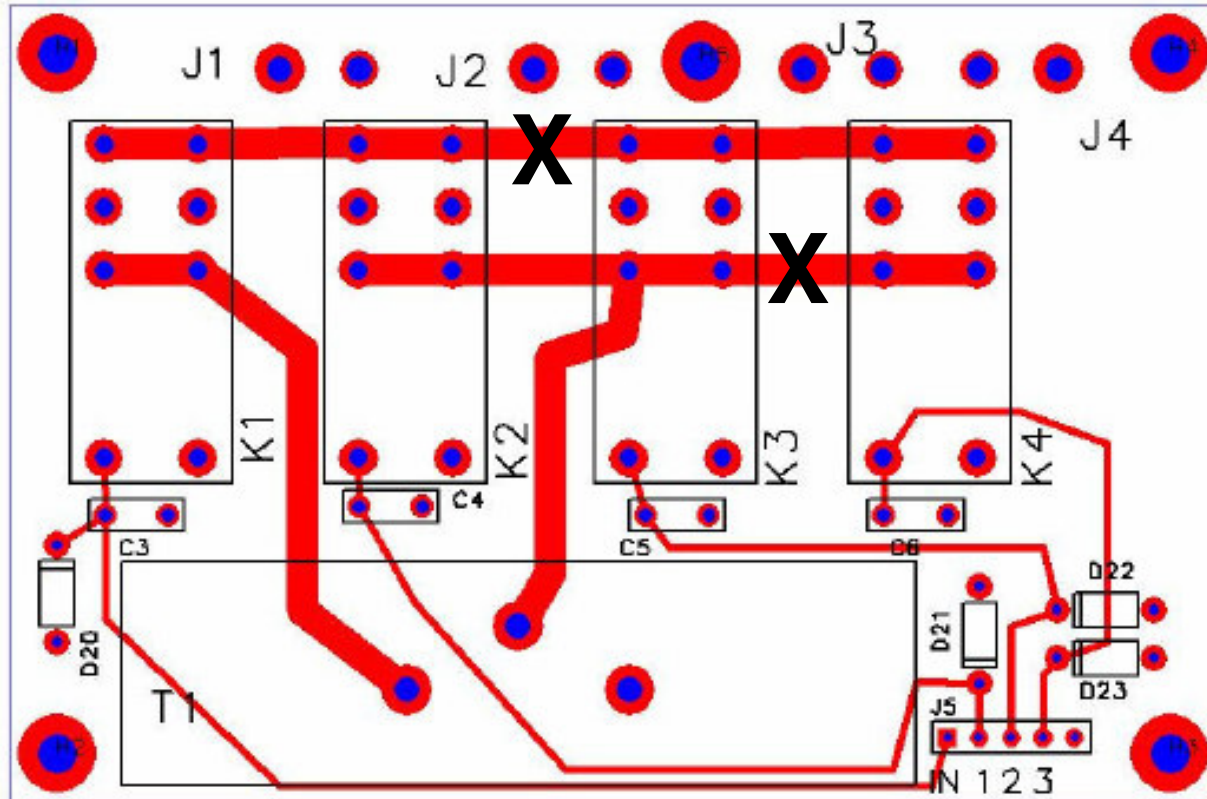
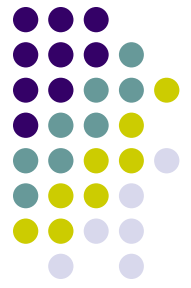


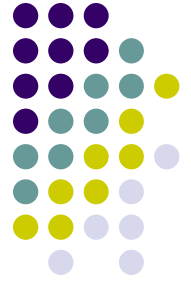
K1NQ 3 Stack Match

Modification for 2 Stack
for Single Tower SO₂R

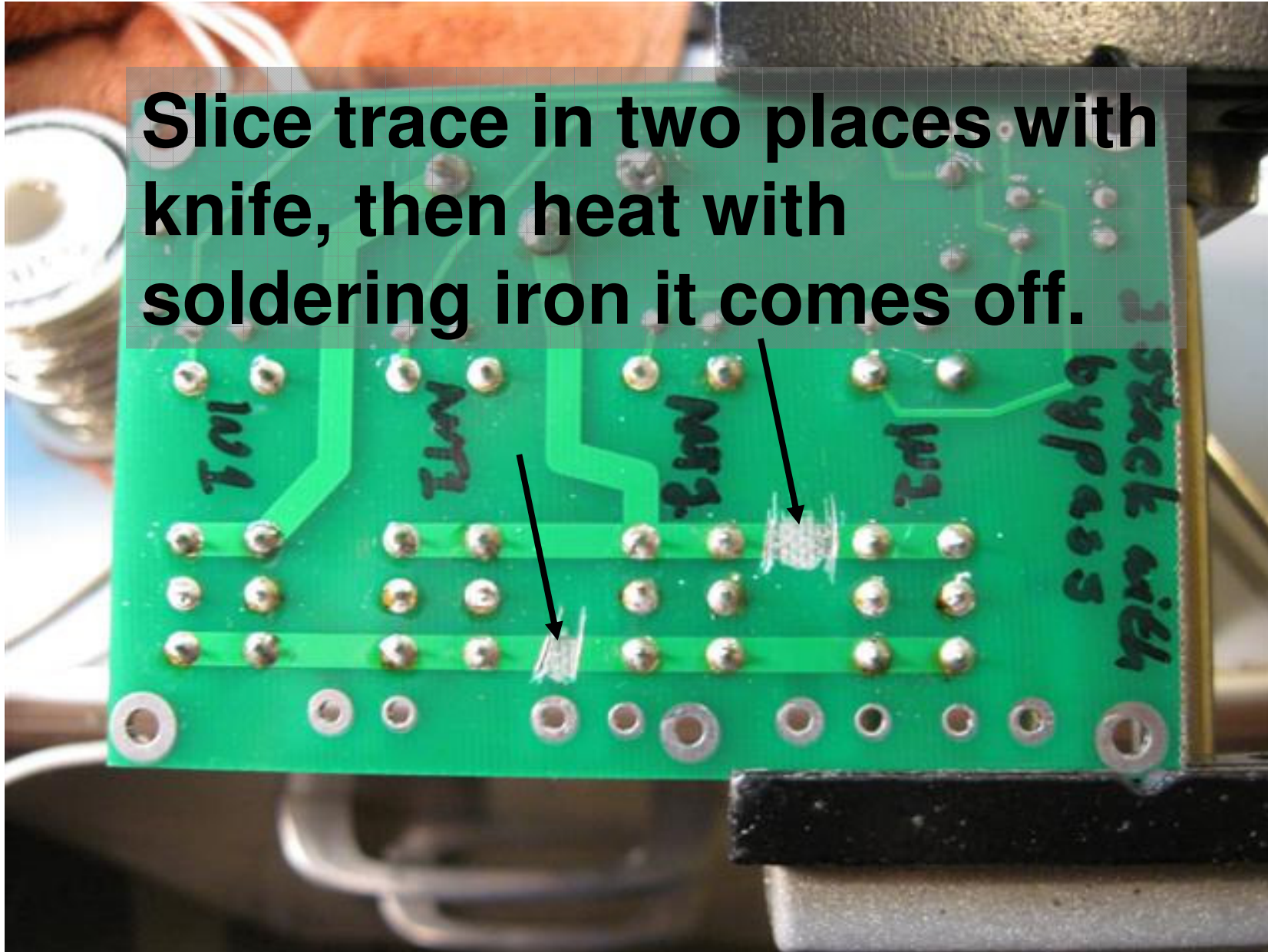




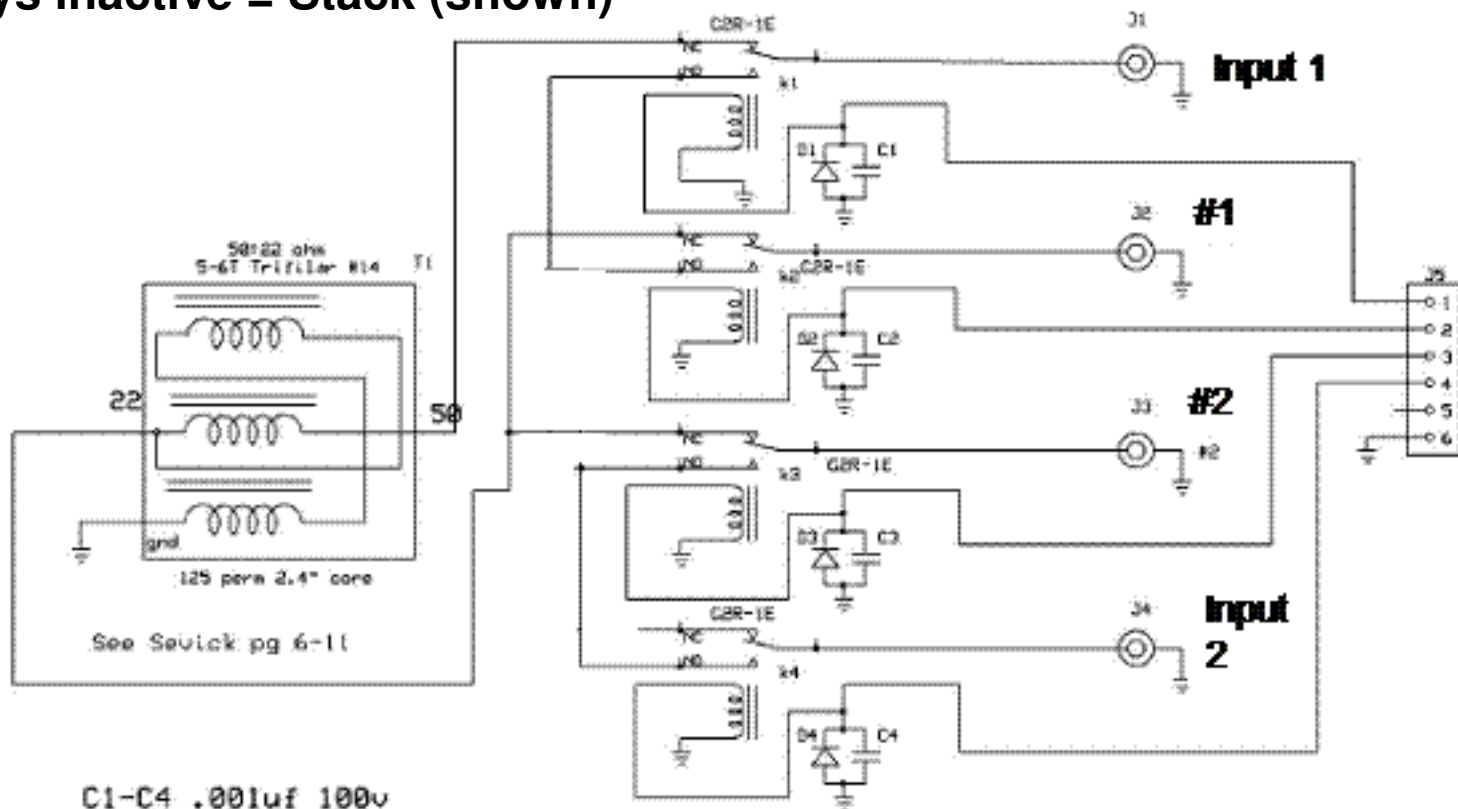




Slice trace in two places with knife, then heat with soldering iron it comes off.



All relays active = BYPASS
 All relays inactive = Stack (shown)



C1-C4 .001uf 100v

D1-D4 1N4001 or Equiv.

K1-K4 12V 10A (High breakdown)

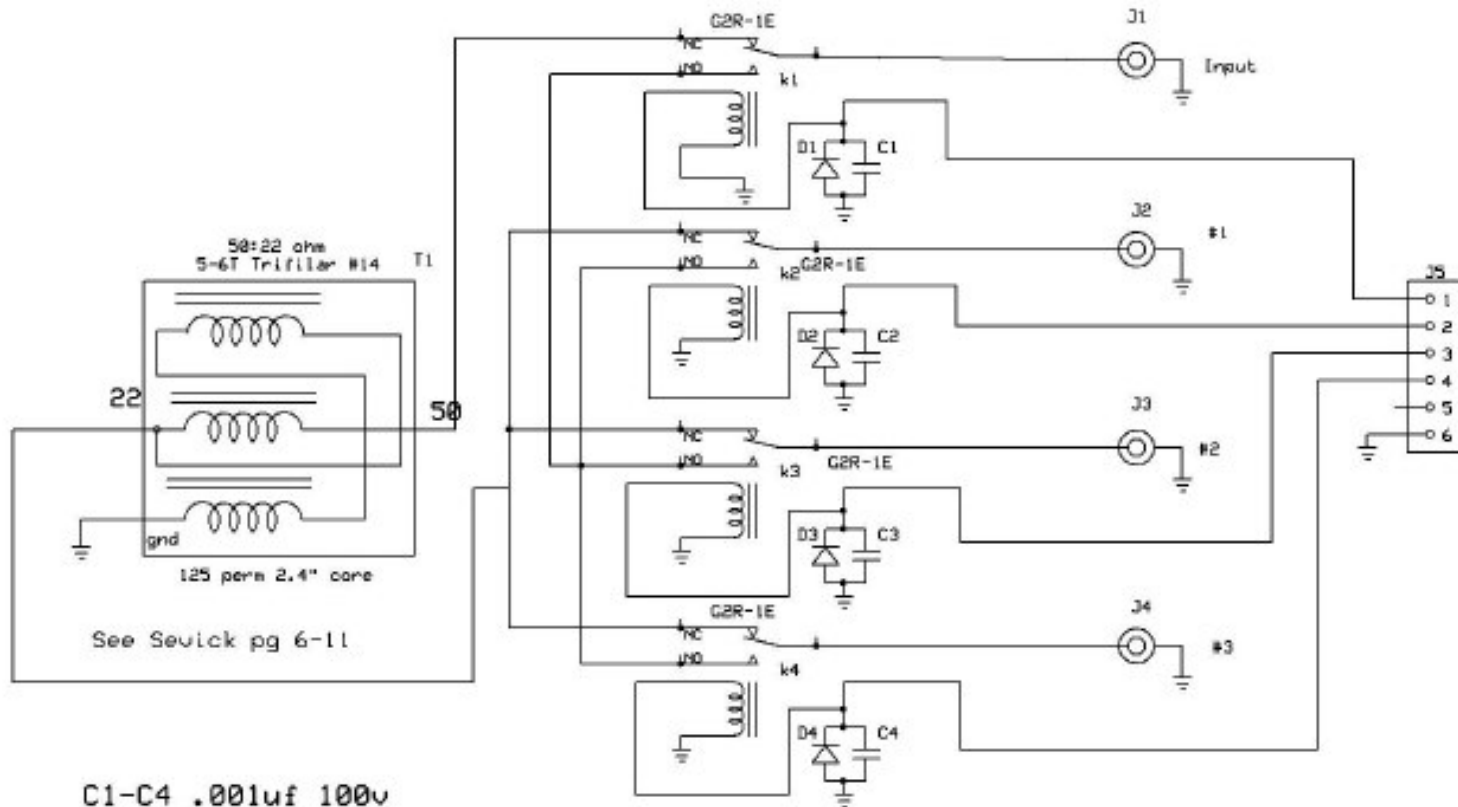
J1-J4 UHF Female Bulkhead

J5 6 pos .1\"sp header

**KK1L Stack2 with Bypass
 modification**

Almost Free Contest Gear
 HF 2 or 3 Ant Match

Original Version for Reference



C1-C4 .001uf 100v

D1-D4 1N4001 or Equiv.

K1-K4 12V 10A (High breakdown)

J1-J4 UHF Female Bulkhead

J5 6 pos .1"sp header

Almost Free Contest Gear
HF 2 or 3 Ant Match

KING

Rev 1.0
11/3/2004

Page # 1-1